

SUBMITTAL DATA SHEET



Series Name: Multi Zone Regular Heat Series
Model Number: MZ18H525ZMO

Multi Zone Heat Pump System

Location:	Approval:
Engineer:	Date:
Submitted to:	Construction:
Submitted by:	Unit #:
Reference:	Drawing #:



OUTDOOR SPECIFICATION

Compressor Type	Twin-ROTARY	
Compressor Model	KTN150D30UFZA	
Refrigerant	R454B	
Refrigerant Oil Charge(mL)	450	
Refrigerant Oil	V74	
Outdoor Air Flow (Max) (CFM)	1766	
Outdoor Noise Level (dBA)	59.5	
Dimension (WxDxH)	inch	35.04 x 13.46 x 26.50
Package (WxDxH)	inch	40.55 x 17.24 x 29.53
Net/Gross Weight	lbs	100.53/109.35

ELECTRICAL

Power Supply	208/230V,60Hz,1Ph	
System MCA	16	
Connection Wiring	AWG 14-4	
System MOCP	20	
Compressor RLA	8.2	
Outdoor Fan Motor RLA	1	
Outdoor Fan Motor W	80	
Indoor Fan Motor RLA	/	
Indoor Fan Motor W	/	
System Power Input @ Cooling (W)	1285/(400 ~ 1900)	
System Power Input @ Heating (W)	1465/(350 ~ 1630)	
MCA: Min. circuit amps (A)	MOCP: Max. over current protection (A)	
RLA: Rated load amps (A)	W: Fan motor rated output (W)	

EFFICIENCY

Cooling		Heating	
SEER2	25.1	HSPF2-4	9.8
EER2	14	COP	3.8

PERFORMANCE of Cooling

Cooling (Btu/hr)	
Rated Capacity	18000
Min/Max Capacity	5400~21600
Moisture Removal(L/h)	0.2
Standard Operating Range(°F/°C)	-13~122/(-25~50)
Rated Cooling Conditions:	Indoor: 80°F DB/67°F WB Outdoor: 95°F DB/75°F WB

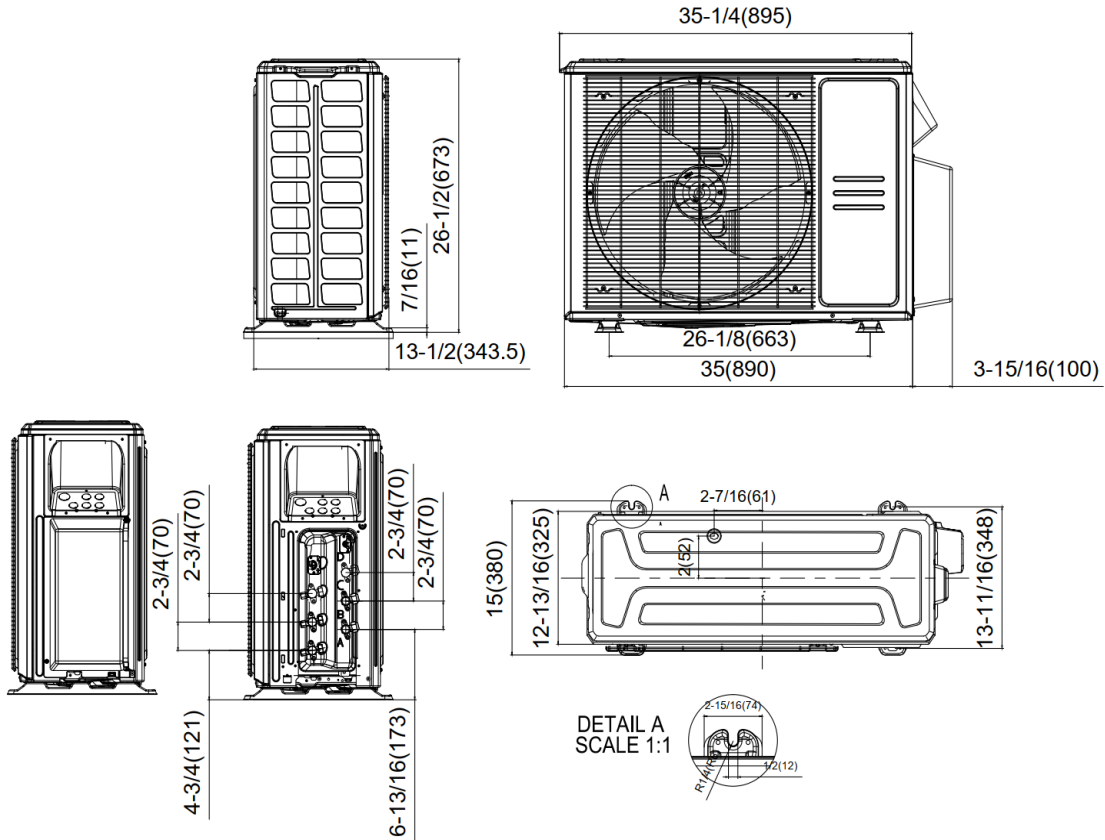
PERFORMANCE of Heating

Heating (Btu/hr)	
1. @ 47°F Rated	19000
1. @ 47°F Min/Max Capacity	5700~21600
2. @ 17°F Rated(H32)	13600
3. @ 5°F Rated: Capacity / COP(H42)	13500/2.3
3. @ 5°F Max: Capacity	13500
Standard Operating Range(°F/°C)	-13~75/(-25~24)
1. Conditions:	Indoor: 70°F DB/60°F WB Outdoor: 47°F DB/43°F WB
2. Conditions:	Indoor: 70°F DB/60°F WB Outdoor: 17°F DB/15°F WB
3. Conditions:	Indoor: 70°F DB/60°F WB Outdoor: 5°F DB/5°F WB

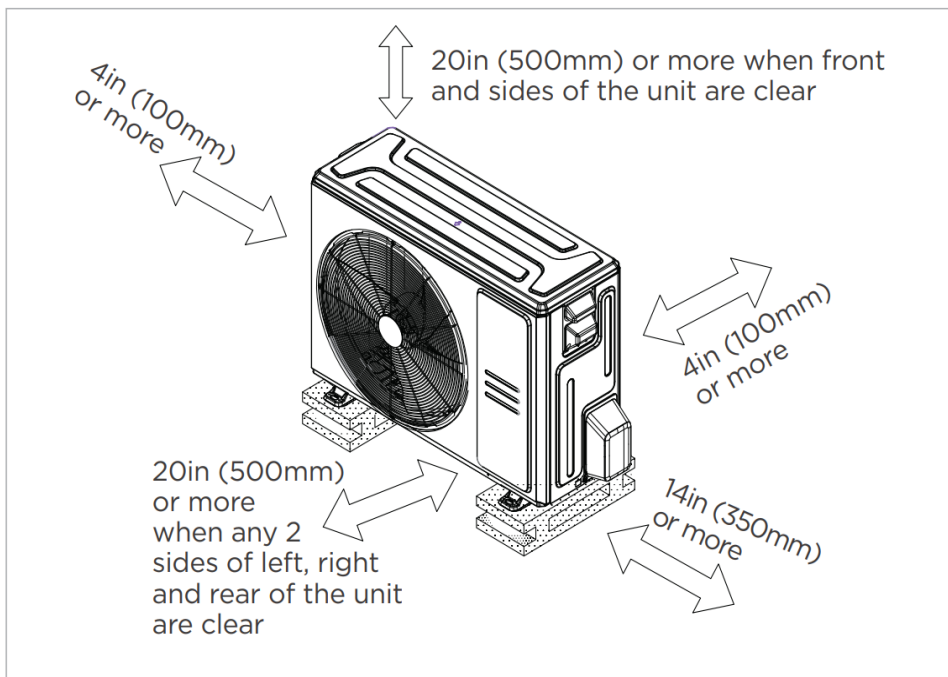
PIPING

Liquid Size	3x6.35mm(3x1/4in)
Gas Size	3x9.52mm(3x3/8in)
Max. Piping Length for all rooms(ft/m)	196.8/(60)
Max. Piping Length for one IDU(ft/m)	98.4/(30)
Max. Height Difference of IDU and ODU(ft/m)	49.2/(15)
Refrigerant Pre-charged Amount(oz/kg)	61.73/(1.75)
Refrigerant Precharge Length(ft/m)	24.6(7.5)x3
Additional Charge of Refrigerant (Φ6.35 (1/4") liquid pipe) ((oz/ft)/(g/m))	0.16/(15)
Additional Charge of Refrigerant (Φ9.52 (3/8") liquid pipe) ((oz/ft)/(g/m))	0.32(30)
Connection Method	Flared

Outdoor Unit Dimension



Installation Instruction



Meets all spatial requirements shown in Installation Clearance Requirements above.