

SUBMITTAL DATA SHEET



Series Name: Multi Zone Regular Heat Series
Model Number: MZ27H525ZMO

Multi Zone Heat Pump System	
Location:	Approval:
Engineer:	Date:
Submitted to:	Construction:
Submitted by:	Unit #:
Reference:	Drawing #:



OUTDOOR SPECIFICATION		
Compressor Type		ROTARY
Compressor Model		KTM240D46UKT2
Refrigerant		R454B
Refrigerant Oil Charge(mL)		620
Refrigerant Oil		V74
Outdoor Air Flow (Max) (CFM)		2131
Outdoor Noise Level (dBA)		61
Dimension (WxDxH)	inch	37.24 x 16.14 x 31.89
Package (WxDxH)	inch	42.91 x 19.68 x 34.84
Net/Gross Weight	lbs	138.89/149.69

ELECTRICAL	
Power Supply	208/230V,60Hz,1Ph
System MCA	23
Connection Wiring	AWG 14-4
System MOCP	25
Compressor RLA	12.1
Outdoor Fan Motor RLA	1.2
Outdoor Fan Motor W	120
Indoor Fan Motor RLA	/
Indoor Fan Motor W	/
System Power Input @ Cooling (W)	2076/(500 ~ 2730)
System Power Input @ Heating (W)	2080/(500 ~2400)
MCA: Min. circuit amps (A)	MOCP: Max. over current protection (A)
RLA: Rated load amps (A)	W: Fan motor rated output (W)

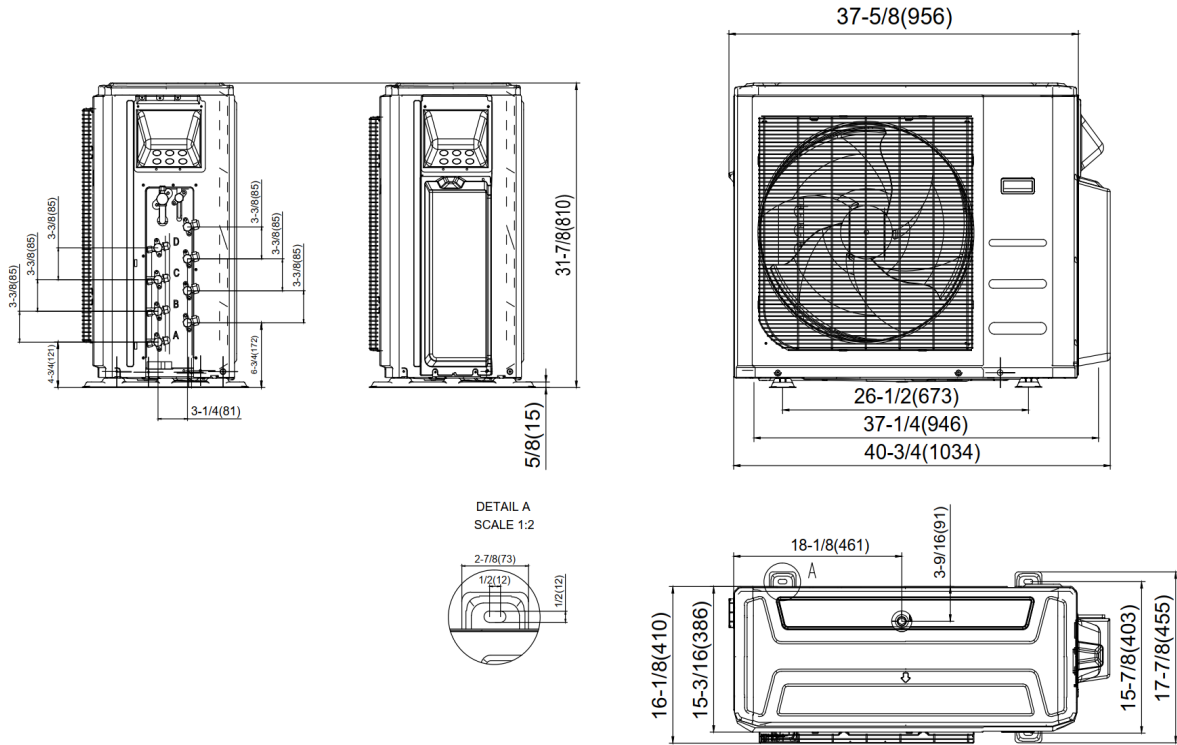
EFFICIENCY			
Cooling		Heating	
SEER2	25.0	HSPF2-4	9.5
EER2	13	COP	3.8

PERFORMANCE of Cooling	
Cooling (Btu/hr)	
Rated Capacity	27000
Min/Max Capacity	7200~32000
Moisture Removal(L/h)	0.8
Standard Operating Range(*F/*C)	-13~122/(-25~50)
Rated Cooling Conditions:	Indoor: 80°F DB/67°F WB
	Outdoor: 95°F DB/75°F WB

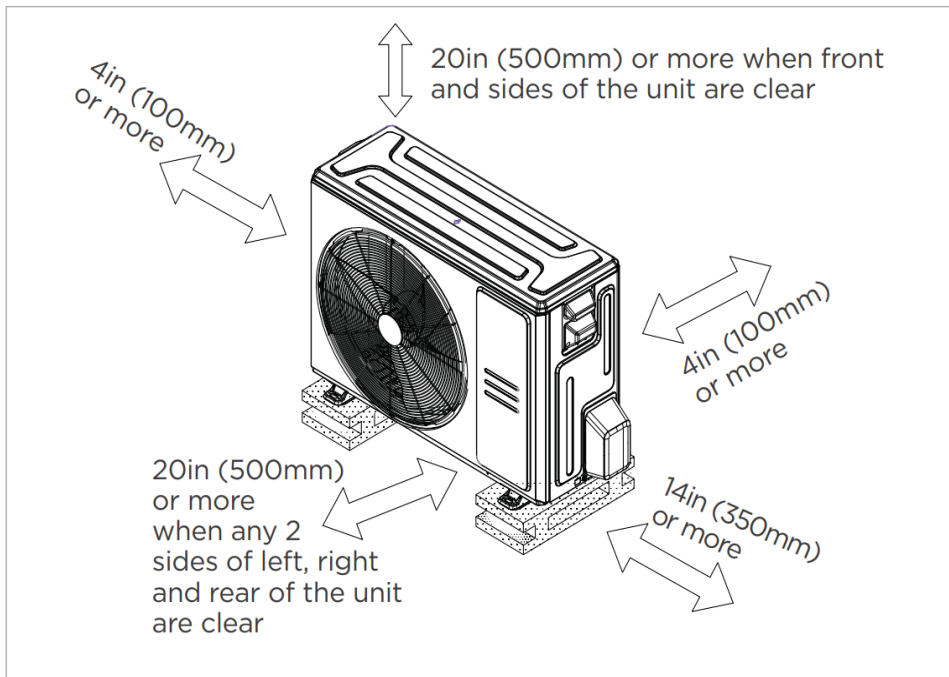
PERFORMANCE of Heating	
Heating (Btu/hr)	
1. @ 47°F Rated	27000
1. @ 47°F Min/Max Capacity	8400~29000
2. @ 17°F Rated(H32)	18400
3. @ 5°F Rated: Capacity / COP(H42)	19000/2
3. @ 5°F Max: Capacity	19000
Standard Operating Range(*F/*C)	-13~75/(-25~24)
1. Conditions:	Indoor: 70°F DB/60°F WB
	Outdoor: 47°F DB/43°F WB
2. Conditions:	Indoor: 70°F DB/60°F WB
	Outdoor: 17°F DB/15°F WB
3. Conditions:	Indoor: 70°F DB/60°F WB
	Outdoor: 5°F DB/5°F WB

PIPING	
Liquid Size	4x6.35mm(4x1/4in)
Gas Size	(3x3/8in+1x1/2in)
Max. Piping Length for all rooms(ft/m)	262.4/(80)
Max. Piping Length for one IDU(ft/m)	114.8/(35)
Max. Height Difference of IDU and ODU(ft/m)	49.2/(15)
Refrigerant Pre-charged Amount(oz/kg)	84.66/(2.4)
Refrigerant Precharge Length(ft/m)	24.6(7.5)x4
Additional Charge of Refrigerant (Φ6.35 (1/4") liquid pipe) ((oz/ft)/(g/m))	0.16/(15)
Additional Charge of Refrigerant (Φ9.52 (3/8") liquid pipe) ((oz/ft)/(g/m))	0.32(30)
Connection Method	Flared

Outdoor Unit Dimension



Installation Instruction



Meets all spatial requirements shown in Installation Clearance Requirements above.