

SUBMITTAL DATA SHEET



Series Name: 4-Way Cassette Evaporators

Model Number: CA09H525ZMI, CA12H525ZMI, CA18H525ZMI, CA24H525ZMI

4-Way Cassette Heat Pump System

Location:	Approval:
Engineer:	Date:
Submitted to:	Construction:
Submitted by:	Unit #:
Reference:	Drawing #:



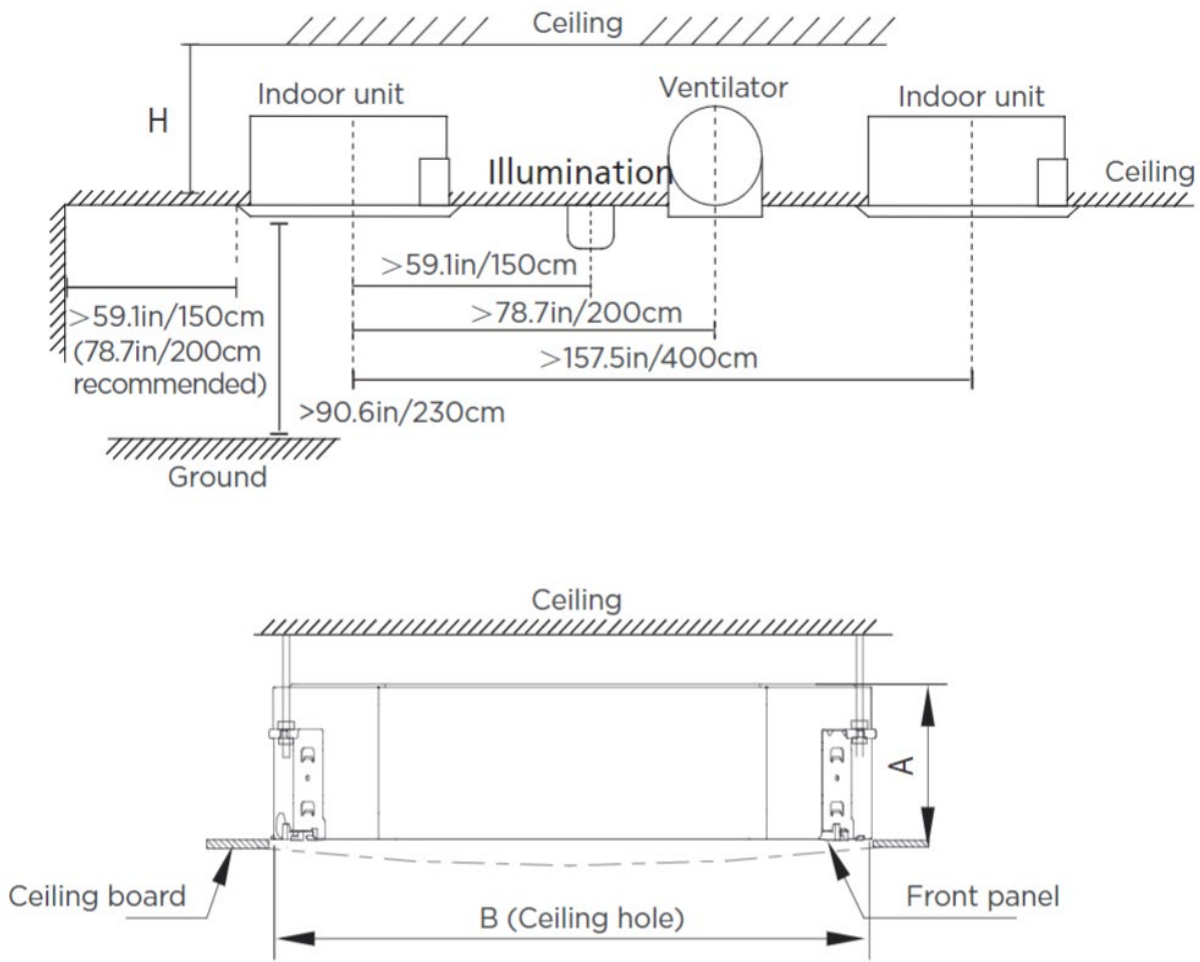
Features

● get from matt

Indoor Product Number		CA09H525ZMI	CA12H525ZMI	CA18H525ZMI	CA24H525ZMI
	V-Hz-Ph	208/230V,60Hz,1Ph	208/230V,60Hz,1Ph	208/230V,60Hz,1Ph	208/230V,60Hz,1Ph
Power Supply / Electrical Ratings					
Voltage range	V	187-253	187-253	187-253	187-253
Cooling Capacity	Btu/h	9000	12000	16800	24000
Cooling Input	W	629	968	1344	2000
Cooling Current	A	4.5	4.3	6.1	8.8
Indoor MINIMUM CIRCUIT AMP	A	3.00	3.00	3.00	3.00
Indoor MAX.FUSE	A	15	15	15	15
Outdoor MINIMUM CIRCUIT AMP	A	12.00	12.00	18.00	24.00
Outdoor MAX.FUSE	A	15	15	20	25
Connection wiring		14#x4	14#x4	14#x4	14#x4
National Certifications and Efficiency Ratings					
SEER2	Btu/h/W	21.6	21.1	20.7	22
EER2	Btu/h/W	14.3	12.5	12.5	12.0
HSPF2-4	Btu/h/W	11.3	10.4	11.4	10.5
HSPF2-5	Btu/h/W	8.8	7.9	8.5	8.1
COP	W/W	4.00	3.55	3.36	3.20
Refrigerant Piping					
Liquid side	inch	1/4in	1/4in	1/4in	3/8in
Gas side	inch	3/8in	3/8in	1/2in	5/8in
Max. Piping Length	ft	82.00	82.00	98.40	164.00
Max. Height Difference	ft	49.20	49.20	65.60	82.00

Performance Capacity Ranges					
		CA09H525ZMI	CA12H525ZMI	CA18H525ZMI	CA24H525ZMI
Cooling Capacity Range	Btu/h	3700~12000	3700~14000	5300~17800	12300~26800
Cooling Input (range)	W	220 ~ 1010	220 ~ 1160	490 ~ 1620	910 ~ 2570
Cooling Current(range)	A	1.6 ~4.4	1.8 ~5.1	2.2 ~7.1	4.0 ~11.3
Heating Capacity	Btu/h	10000	12000	18000	25000
Heating Input	W	733	991	1570	2268
Heating Current	A	3.3	4.3	7.2	10.2
Heating Capacity Range	Btu/h	4700~13700	4700~15000	7100~21500	11600~33100
Heating Input(range)	W	270 ~1110	270 ~1200	395 ~1930	640 ~2830
Heating Current(range)	A	1.4 ~4.9	1.4 ~5.3	2.1 ~8.5	3.5 ~12.4
Moisture removal	L/h	0.74	1.10	2.05	2.56

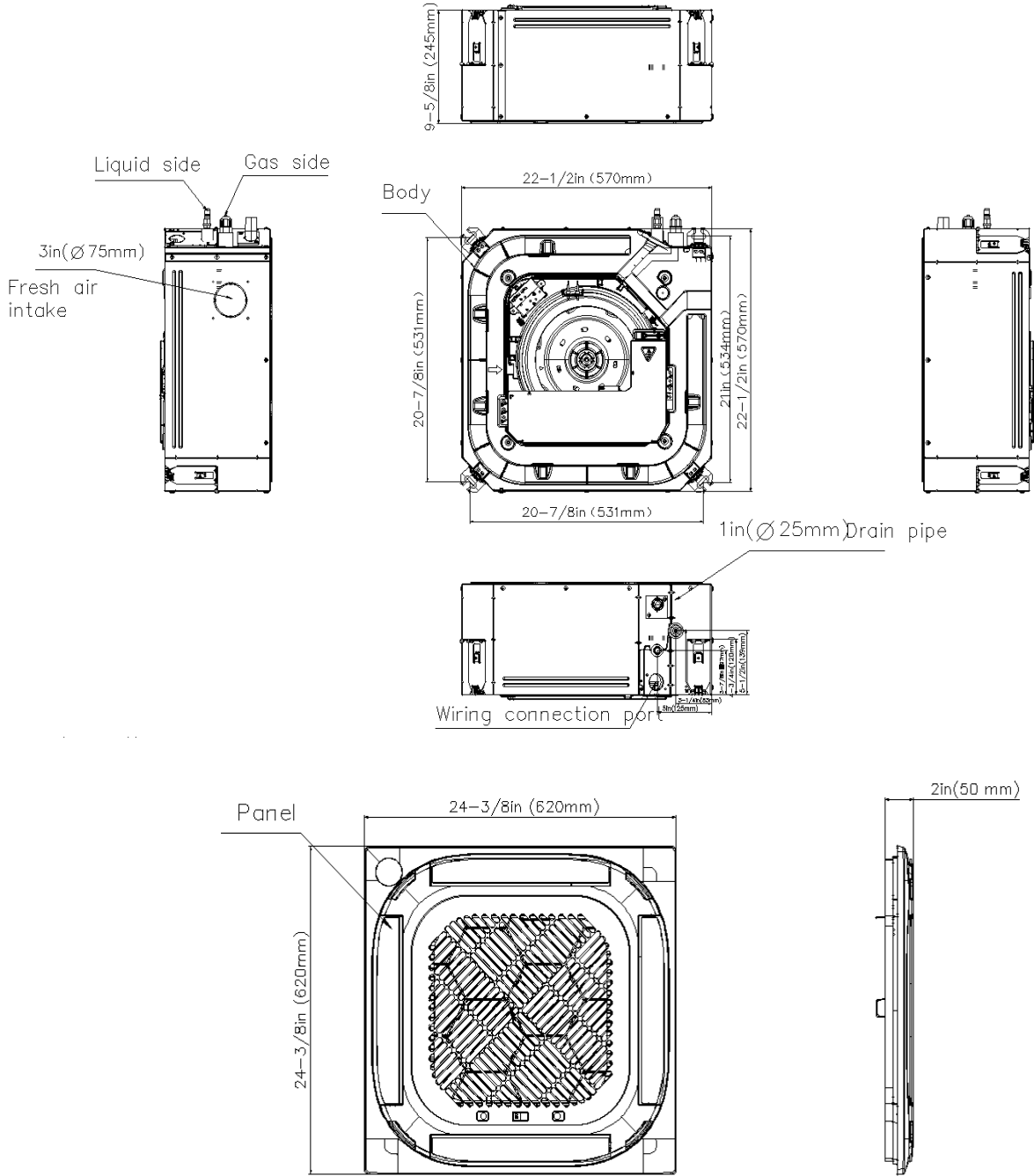
Installation Instruction



Distance from ceiling relative to height of indoor unit

MODEL	Length of A	Length of H	Length of B
9K/12K/18K	9.6in (245mm)	$>10.8\text{in}$ (275mm)	23.6in (600mm)
24K	8.03in (205mm)	9.06in (230mm)	35.4in (900mm)
36K	9.65in (245mm)	10.7in (271mm)	
48K	11.3in (287mm)	12.3in (313mm)	

Indoor Unit Dimension



Indoor Unit Specifications

		CA09H525ZMI	CA12H525ZMI	CA18H525ZMI	CA24H525ZMI
Indoor Indoor fan motor RLA	A	0.8	0.9	1.0	1.0
Indoor Motor Speed(Hi/Mi/Lo)	r/min	600/530/380	700/600/400	800/750/700	624/568/426
Indoor Air Flow (Turbo)	CFM	353.2	417.9	447.3	765.2
Indoor air flow (Hi/Mi/Lo/Si)	CFM	312.0/264.9/182.5/147.2	364.9/306.1/194.2/147.2	388.5/317.8/194.2/147.2	706.3/635.7/547.4/N/A
Noise level (Turbo/Hi/Mi/Lo/Si)	dB(A)	42.5/40/37.0/26.0/24.0	46/42.0/38.5/26.5/24.0	48/44.0/41.0/28.5/24.5	N/A/45.5/43.0/33.5/30.5
Operating Temp. Range(Cooling)		60 ~ 90	60 ~ 90	60 ~ 90	61~90
Operating Temp. Range(Heating)		32-86	32-86	32-86	32-86
Indoor Unit Dimension WxDxH	inch	22.44 x 22.44 x 9.65	22.44 x 22.44 x 9.65	22.44 x 22.44 x 9.65	32.68 x 32.68 x 8.07
Indoor Item Net/Gross weight	lb	35.27/41.89	35.27/41.89	35.27/41.89	47.18/59.08
N.A. Design pressure	PSI	550 / 340	550 / 340	550 / 340	550 / 340