

SUBMITTAL DATA SHEET



Series Name: Wall Mount Evaporators

Model Number: WM06H525ZMI, WM09H525ZMI, WM12H525ZMI, WM18H525ZMI, WM24H525ZMI

Wall Mount Evaporators Heat Pump System

Location:	Approval:
Engineer:	Date:
Submitted to:	Construction:
Submitted by:	Unit #:
Reference:	Drawing #:



Features
● get from matt

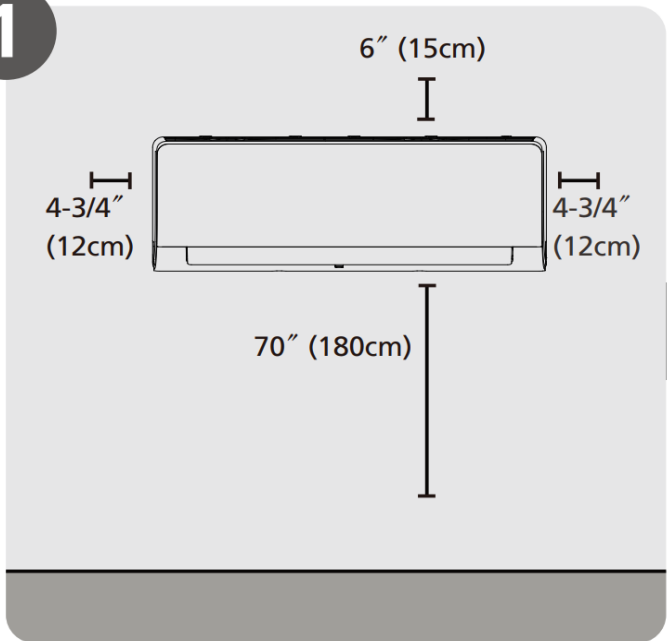
Indoor Product Number		WM06H525ZMI	WM09H525ZMI	WM12H525ZMI	WM18H525ZMI	WM24H525ZMI
	V-Hz-Ph	208/230V,60Hz,1Ph	208/230V,60Hz,1Ph	208/230V,60Hz,1Ph	208/230V,60Hz,1Ph	208/230V,60Hz,1Ph
Power Supply / Electrical Ratings						
Voltage range	V	187-253	187-253	187-253	187-253	187-253
Cooling Input	W	333	604	916	1406	1714
Cooling Current	A	3.1	4.5	4.1	6.3	7.4
Indoor MINIMUM CIRCUIT AMPACITY	A	3.0	3.0	3.0	3.0	3.0
Indoor MAX. FUSE	15	15	15	15	15	15
Connection wiring		14#x4	14#x4	14#x4	14#x4	14#x4
National Certifications and Efficiency Ratings						
SEER2	Btu/h/W	25.5	25.8	25.5	23.5	23
EER2	Btu/h/W	18.0	14.9	13	12.7	14.0
HSPF2-4	Btu/h/W	14.8	12.5	10.6	10.8	11.7
HSPF2-5	Btu/h/W	11.5	9.2	8.0	8.0	8.7
COP	W/W	4.20	3.90	3.90	3.50	3.96
Refrigerant Piping						
Liquid side	in	1/4in	1/4in	1/4in	1/4in	3/8in
Gas side	in	3/8in	3/8in	3/8in	1/2in	5/8in
Max. Piping Length	ft	82.00	82.00	82.00	98.40	164.00
Max. Height Difference	ft	49.20	49.20	49.20	65.60	82.00

Performance Capacity Ranges

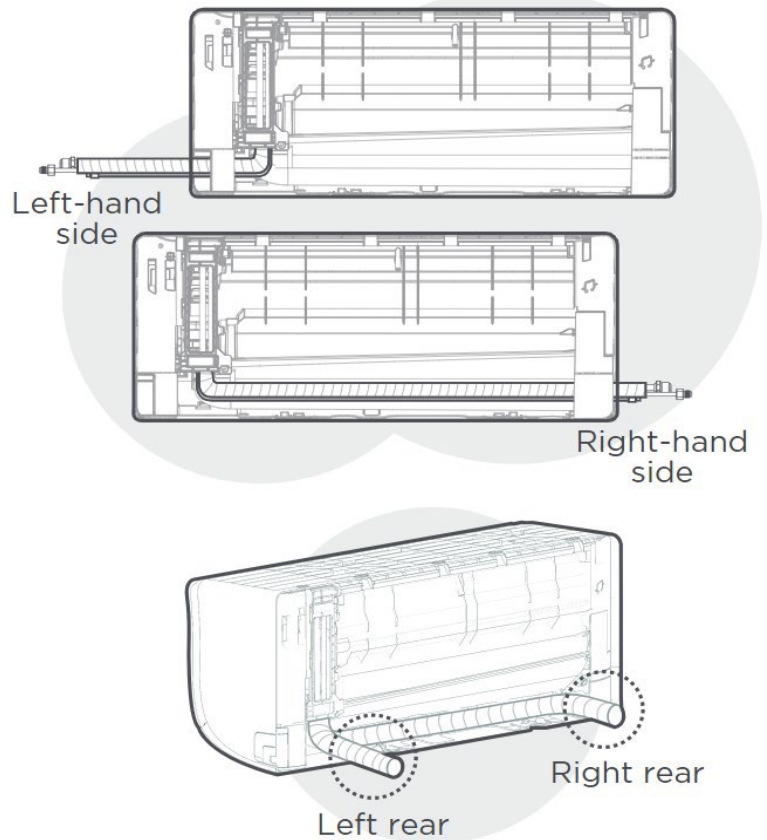
		WM06H525ZMI	WM09H525ZMI	WM12H525ZMI	WM18H525ZMI	WM24H525ZMI
Cooling Capacity Range	Btu/h	2300~12600	2200~13000	2900~14500	3500~18900	5500~29500
Cooling Input (range)	W	166 ~ 950	180 ~ 990	185 ~ 1270	420 ~ 1630	560 ~ 2570
Cooling Current(range)	A	0.9~4.6	0.8~4.8	1.1~5.6	1.9~7.2	2.4~11.2
Heating Capacity	Btu/h	7000	10000	12000	18000	25000
Heating Input	W	489	750	902	1507	1852
Heating Current	A	4.0	3.3	4.0	6.7	8.3
Heating Input(range)	W	241 ~1090	225 ~1130	225 ~1290	415 ~1910	520 ~3150
Heating Current(range)	A	1.3~4.8	1.2~5.0	1.2~5.7	2.3~8.4	2.8~13.7
Moisture removal	L/h	0.3	0.6	1.1	2.0	2.3

Installation Instruction

1

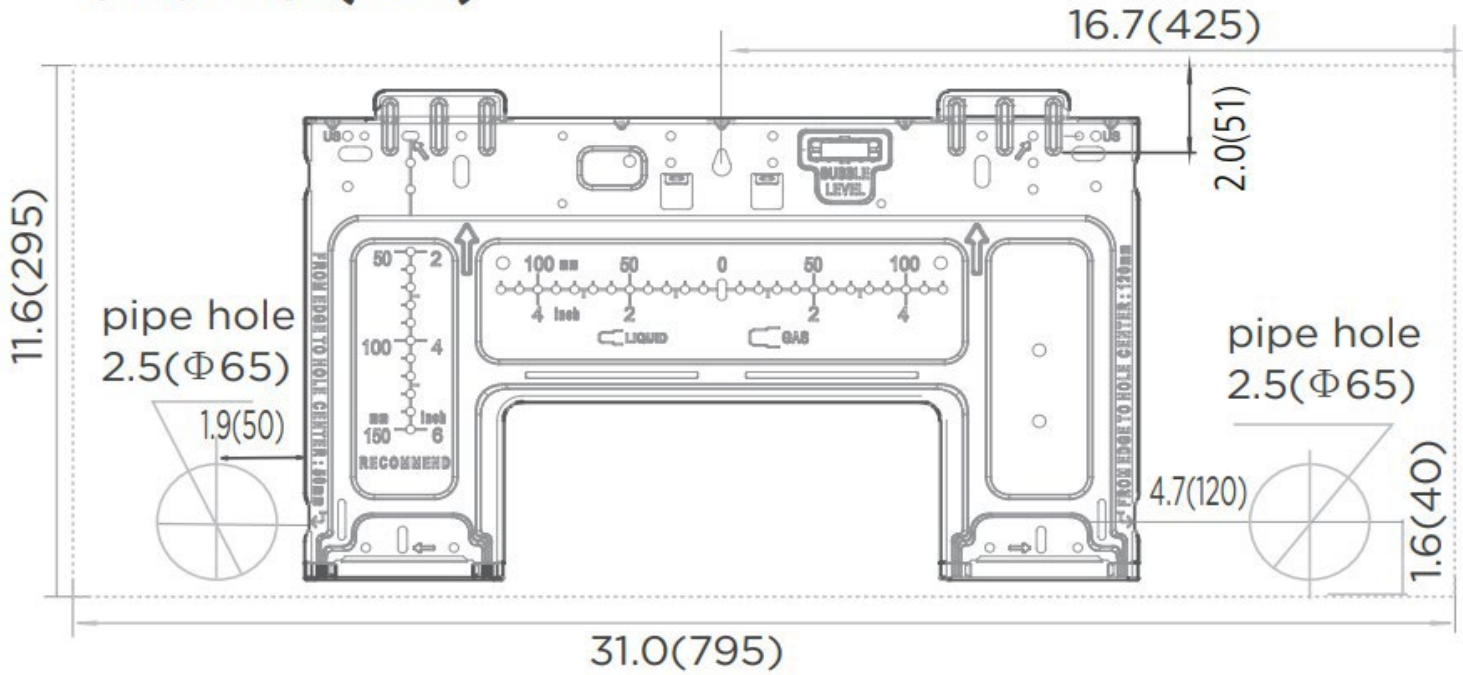


Select Installation Location



Indoor Unit Dimension

Unit: inch(mm)



Indoor Unit Specifications						
		WM06H525ZMI	WM09H525ZMI	WM12H525ZMI	WM18H525ZMI	WM24H525ZMI
Indoor Indoor fan motor RLA	A	0.5	0.5	0.5	0.8	1.3
Indoor Indoor air flow (Hi/Mi/Lo/Si)	CFM	382.6 / 323.7 / 229.6 / 176.6 / 147.2	441.4 / 323.7 / 229.6 / 176.6 / 147.2	441.4 / 323.7 / 229.6 / 176.6 / 147.2	635.7 / 500.3 / 359.0 / 294.3 / /	812.3 / 618.0 / 412.0 / 317.8
Indoor noise level (Turbo/Hi/Mi/Lo/Si)	dB(A)	44.0/36.5/32.5/22.0/19.5	47.5/43/31/18/17	46/38/33.0/18.0/18	49/45/39/28/20	51.5/43.5/39.5/21.5/19
Indoor Operating Temp. Range(Cooling)	°F	60~90	60~90	60~90	60~90	60~90
Indoor Operating Temp. Range(Heating)	°F	32-86	32-86	32-86	32-86	32-86
Indoor Unit Dimension WxDxH	inch	33.74 x 9.09 x 11.81	33.74 x 9.09 x 11.81	33.74 x 9.09 x 11.81	40.31 x 9.69 x 12.64	47.13 x 11.02 x 14.61
Indoor Item Net/Gross weight	lb	22.93/29.32	23.37/29.98	22.93/29.32	27.34/36.60	43.65/55.56
N.A. Design pressure	PSI	550 / 340	550 / 340	550 / 340	550 / 340	550 / 340