

Submittal Data

WM6H424ZMI



6,000 BTU – Wall Mounted Evaporator

Job Name:	Location:
Purchaser:	P.O. Number:
Engineer:	Architect:
Submitted to:	Date:
Submitted By:	For: <input type="checkbox"/> Reference <input type="checkbox"/> Approval <input type="checkbox"/> Construction



Standard Features:

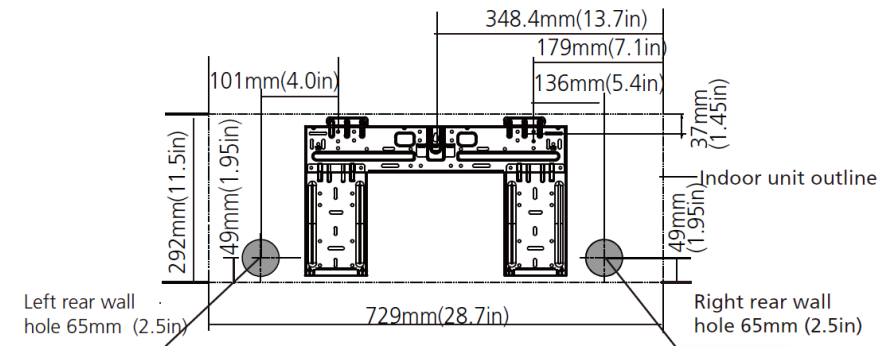
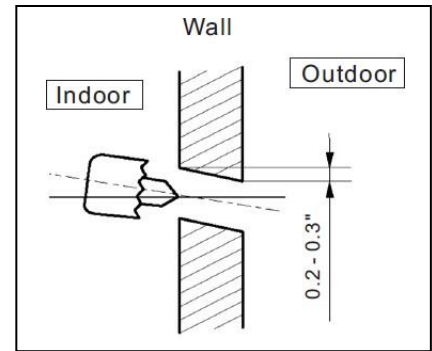
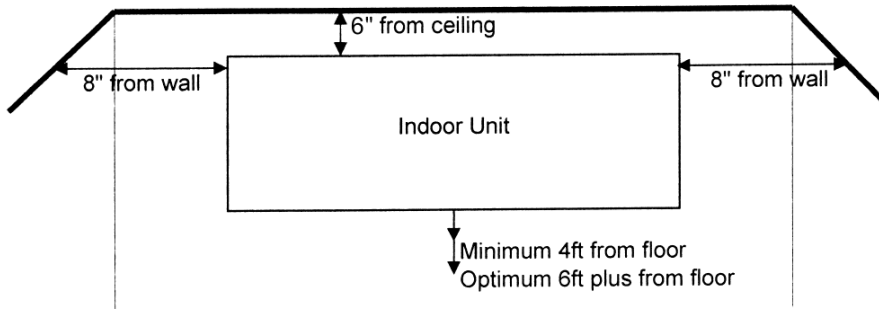
- 2 Year Parts Warranty
- Low-Ambient Cooling
- R410A Refrigerant
- Multi/Single Zone System Configuration
- Heat-Pump System
- AHRI Rated
- UL Rated – US and Canada
- Wifi Enabled



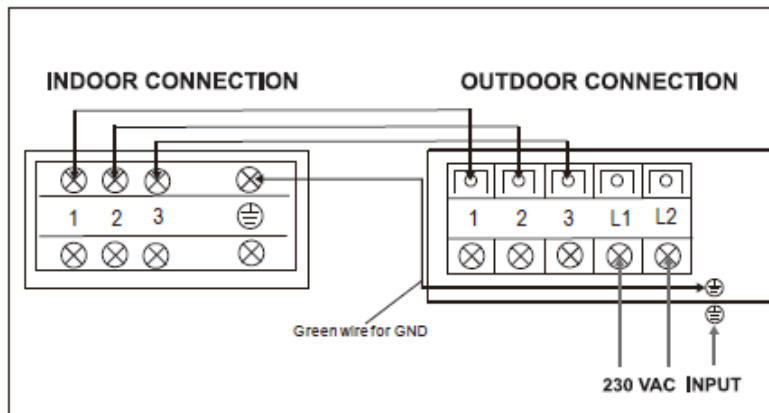
Unit Specifications:

Capacities Rated BTU 6,000 BTU/h (Cooling) 6,000 BTU/h (Heating) 7,000 Cooling Operating Range (Deg. °F) -13 ~ 122 Heat Operating Range (Deg. °F) -13 ~ 75 SEER 23.5 EER 15 Fan Motor Speed (Hi/Md/Low) 1100 / 810 / 690 Air Circulation (CFM) 247.06 / 176.47 / 141.18 Sound Power Level Db(A) 38.5 / 33 / 20.5 Indoor Selection Range 60 ~ 90 Application Area (Sq. Ft) 86.11 / 129.17		Electrical Rated Voltage 208/230, 60, 1 Min. Circuit Ampacity 13 Rated Current (Cooling/Heating) 3.55/3.76 Max. Fuse 15 Connection Wiring 14*4 / 16 *4 AWG	
		Physical Dimensions (approx.) W/D/H 28.7 x 7.87 x 11.5 Package Dimensions W/D/H 31.10 x 10.63 x 14.76 Net/ Gross Weight (lbs.) 17.64 / 22.49 Liquid Line (O.D.) 1/4" Suction Line (O.D.) 3/8" Metering Method Capillary +EXV	

Installation Specifications:



Wiring Connections:



WARRANTY

International Refrigeration Products warrants that the product supplied is free from defects in material and workmanship. This warranty is valid as long as this product is properly handled, installed, operated and serviced in accordance with the Installation and Operating Instructions shipped with this unit, and the warranty card is completed and mailed no later than 30 days after date of purchase. All warranty claims must be made within one (2) years on parts and (7) years on the compressor - from date of purchase (unless national regulations require a longer registration period).

This warranty provides free replacement of defective parts only. **Labor is not covered under this warranty. Replacement as a result of normal wear and tear is not covered under this warranty.**

Additional claims are excluded, unless required by national regulations. International Refrigeration Products Inc. is not responsible for incidental, consequential, direct, or indirect damages, or expenses relating to the use of, or the inability to use the product for any purpose. Other implied warranties are excluded.

This constitutes International Refrigeration Products' warranty obligation and replaces any and all prior warranties for this product.

1035 Wheeler Way
Langhorne, PA 19047
Service - Tel: 215-750-9876 Fax: 215-750-1169
www.irpsales.com